

IMPERIA 6 COLUMN BENCH Instructions



INSTALLATION

- This product must be installed by a fully qualified engineer.
- Please consider using an Eastbrook Valve Set - this will ensure that your radiator looks its best with matching radiator valves.
- On commissioning, flush the central heating system thoroughly using a proprietary solution to ensure that aggressive substances such as fluxes and manufacturing residue, from which internal surfaces of your radiator can sustain irreparable damage - are removed. It is further recommended that an appropriately approved corrosion inhibitor be subsequently added to the heating system in order to protect the radiator and other parts of the central heating system to promote extended operating lifespan. Please ensure, when adding inhibitor, not to underdose or overdose and follow the inhibitor instructions. **The Ph level** of the system water should be between 6.5 and 7.5
If the system water is too acidic then the metals in the system would corrode. If the system water is too alkaline, then there is a higher risk of electrolysis.

MAINTENANCE

- From time to time it is advisable to clean your radiator with a warm damp cloth. Never use any form of abrasive cleaner or chemical.
- Corrosion inhibitor must also be regularly maintained, please consult your heating engineer for details.

IMPORTANT

- Maximum working pressure of this radiator is 4 bar.
- This radiator is to be used on Domestic Central Heating systems only. (Not suitable for use on direct hot water systems). Please consult your heating engineer or supplier.

WARRANTY

Your Imperia 6 Column Bench radiator has five years manufacturer's warranty in respect of defective materials and workmanship and subject to installation being carried out by a qualified engineer in accordance with good practice and corrosion inhibitors being regularly maintained.

IMPORTANT NOTES

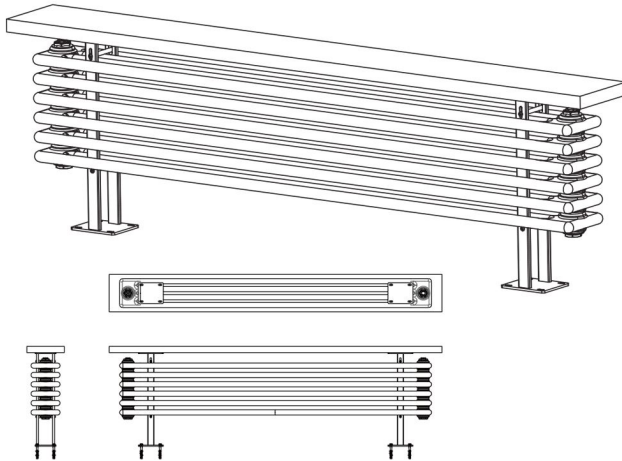
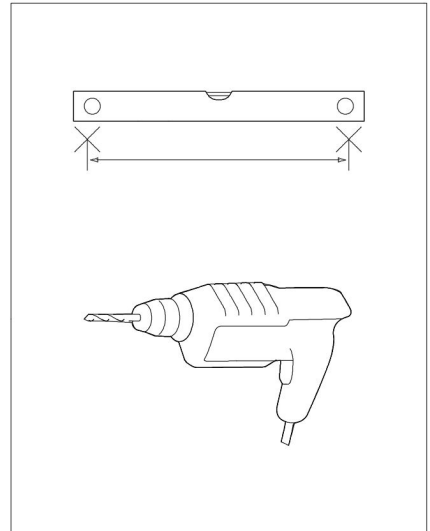
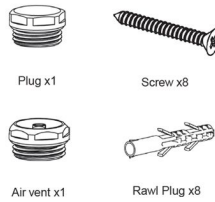
* Make sure to use PTFE tape around the valve tails (not supplied with the radiator) & bleed valve and blanking plug (supplied with the radiator) before fitting on the radiator. This radiator has two top inlets and the bleed valve has to be used on opposite top inlet from the bottom flow inlet.

Flow and return can be either side at the bottom.

* After fitting the valves and plugs, fill the system to check for leaks.

* Run the central heating system and release any trapped air using the air vent (bleed valve) plug.

BOX CONTENTS



Tools required for installation (not supplied)

